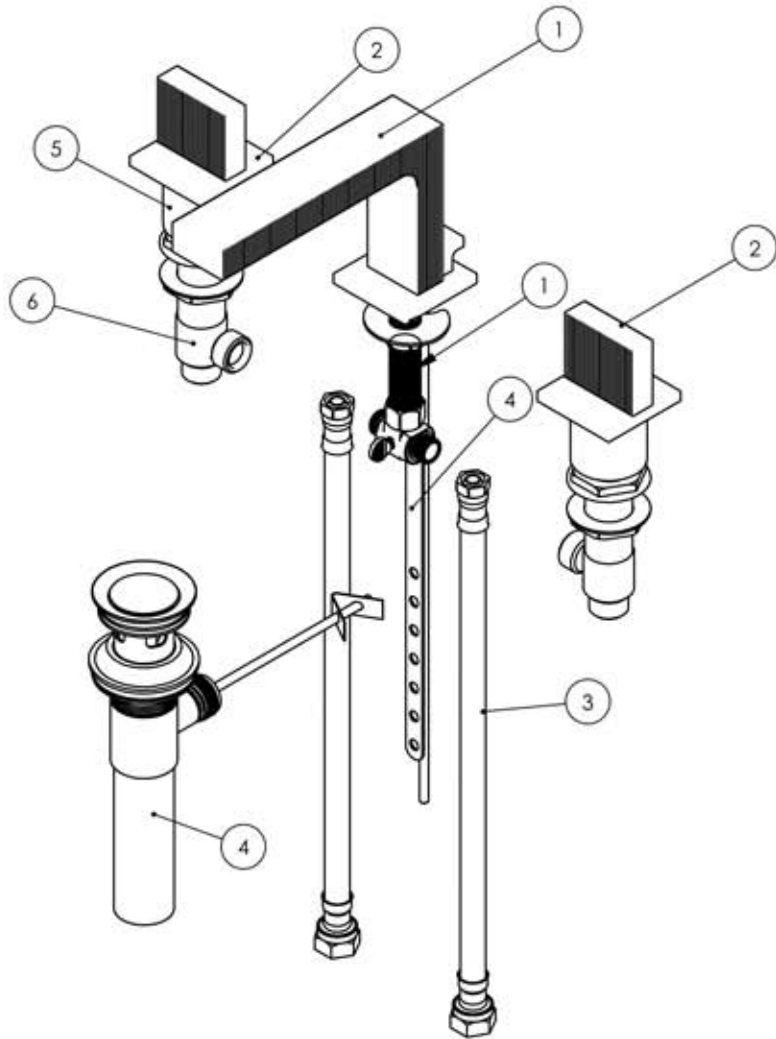


A

B

C

D



ITEM NO.	PART NUMBER	DESCRIPTION	QTY.
1	3-105/00	ASSY, SPOUT WIDESPREAD LAV RIBBED LOW	1
	10938/00	ESCUTCHEON, SPOUT LAV EDGE SERIES	1
	10946/00	SPOUT, WIDESPREAD LAV LOW EDGE	1
	92158	DOWEL PIN, 1/8" X 3/8"L	2
	10957/00	POP-UP KNOB, EDGE SERIES	1
	10719/00	POP-UP ROD, 10-24, 14" LONG	1
	10745	THREAD ALL, 3/8"-18 NPSL	1
	10746	NUT, 3/8"-18 NPSL	1
	1-112	TEE VALVE, 3/8" NPSM X 3/8" COMPRESSION	1
	10747	THREE WAY TEE, NL 3/8" COMP.	1
	10066	HEX SCREW SPUD	1
	10067	NUT, LOCKING 3/8"-18 NPSL WITH 3/4" HEX	1
	90011	O-RING, 5/16"ID X 7/16"OD X 1/16"THK, AS-568-011	1
	90514	RUBBER WASHER, 5/8"OD X 1/2"ID X .093"THK.	1
	10560	AERATOR, PCA CACHE 1.5GPM, M24X1.0 GREEN	1
	90031	O-RING, 1-3/4"ID X 1-7/8"OD X 1/16"THK, AS-568-031	1
	92174	WASHER MOUNT WIDESPREAD (3/8")	1
2	3-108/00	ASSY, HANDLE RIBBED BLADE	2
	10937/00	ESCUTCHEON, HANDLE EDGE SERIES	1
	10927/00	HANDLE, BLADE EDGE SERIES	1
	92176	WEAR WASHER	2
	92005	SET SCREW, CUP PT 6-32UNC THREAD 3/16"L	1
	92177	RETAINING RING, 7/16" SHAFT	1
3	10982	HOSE, 3/8" COMP, X 1/2" NPSM - 12"L	2
4	3-046/00	POP-UP DRAIN ASSEMBLY (2-101, 2-102)	1
	10790	BODY, POP-UP DRAIN	1
	92089	MOUNTING NUT, DRAIN ASSY.	1
	92090	NYLON WASHER	1
	90505	CONICAL GASKET, RUBBER	1

ZONE	REV.	DESCRIPTION	DATE	APPROVED
REVISIONS				

1261 LOGAN AVENUE COSTA MESA, CALIFORNIA 92626 PHONE: 714.361.4800 FAX: 714.617.3120	<h1>PHYLORICH®</h1> <p>Defining Luxury Since 1959</p>	PROPRIETARY AND CONFIDENTIAL THE INFORMATION CONTAINED IN THIS DRAWING IS THE SOLE PROPERTY OF RSS MANUFACTURING. ANY REPRODUCTION IN PART OR AS A WHOLE WITHOUT THE WRITTEN PERMISSION OF RSS MANUFACTURING IS PROHIBITED.
---	---	---

-		-		INTERPRET GEOMETRIC DIMENSIONING & TOLERANCING IN ACCORDANCE WITH ASME Y14.5-2009 & ASME Y14.41-2003 STANDARDS. UNLESS OTHERWISE SPECIFIED, DIMENSIONS ARE IN INCHES. TOLERANCES ARE:	
NEXT ASSY	USED ON	FRACTIONS ±1/64"	DECIMALS X.X: ±.1 X.XX: ±.01 X.XXX: ±.005	ANGULAR ±5°	
APPLICATION		MATERIAL	NAME	DATE	
FINISH		DRAWN	6/2/2013		
DO NOT SCALE DRAWING		CHECKED			

WIDESPREAD FAUCET, LOW SPOUT, BLADE HANDLE, STRIA SERIES

SIZE	ASM/PRT NO.	REV
A	291L-01/00	
SCALE: 1:12	WEIGHT: lbs.	SHEET 1 OF 3

5

4

3

2

1